

A flexible and robust hook lift

Hook lift S10, 12 and 15 are flexible, easy-to-use and fast hook lifts. The design is among one of the lowest when it comes to low weight and the lowered tipping joints increase the lifting force.



Hydraulic body lock



Impact tested front wall



Radio control



S10 & 12

► QUICK FACTS

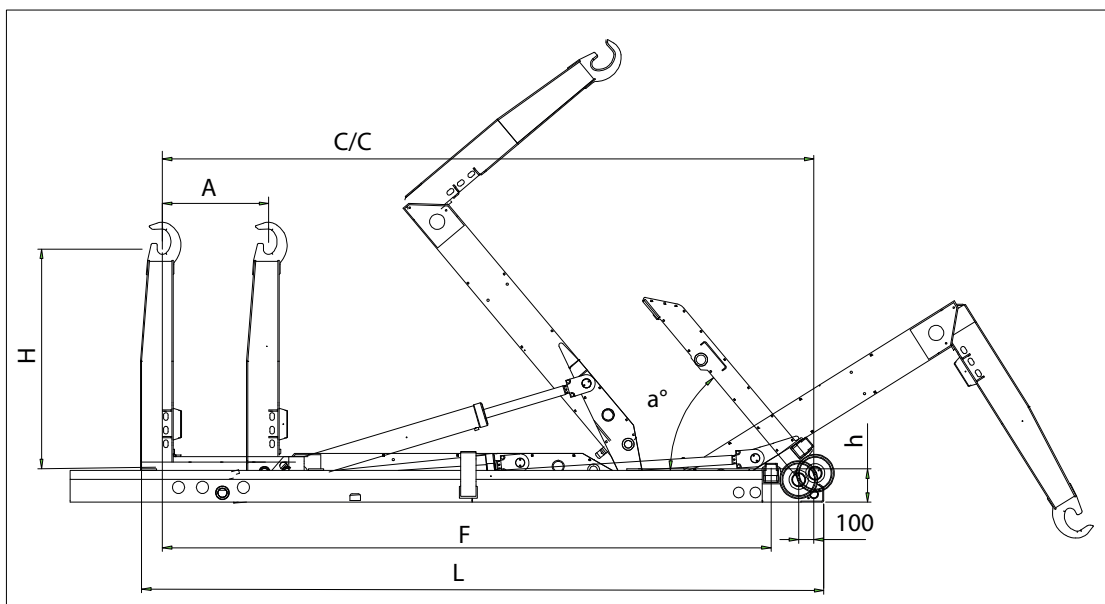
- **Swedish made.**
- **10 and 12 tons lifting and tipping capacity.**

► FACTS IN DETAIL

- Designed for 2 axle chassis.
- Robust construction for increased durability and long service life.
- The hook height is in accordance with SMS and DIN standards and is suitable for the market's different load carriers.
- Automatic lowering brake that dampens the speed at the end of the lowering motion.
- Extensive equipment program designed for your specific needs.
- Prepared for the Cameleont swap system.
- Included in our FBS construction concept, which consists of corrosion resistant products (painted at assembly). FBS also means a shorter lead time.
- Gives you, the customer, many years of profitable ownership.

► ADDITIONAL EQUIPMENT

- Crane body studs
- Tool mounting
- Mechanical body lock
- Radio control
- Impact tested front wall
- Sleeves in front wall
- Spreader flap deployer



Model	Weight (kg)	Capacity max (t)	Pressure (bar)	a°	Dimensions (mm)					F Hydraulic lock	Rec. Load carrier
					C/C	L	A	H	h		
S10-4295 AA	1430	10	250	56	4295	4500	1100	1450	220	4013	4500-5500
S10-4695 AA	1460	10	270	49	4695	4900	1100	1450	220	4413	4900-6000
S10-5008 AA	1510	10	280	49	5008	5213	1100	1450	220	4726	5500-6500
S12-4295 AA	1430	12	250	56	4295	4500	1100	1450	220	4013	4500-5500
S12-4695 AA	1460	12	270	49	4695	4900	1100	1450	220	4413	4900-6000
S12-5008 AA	1510	12	280	49	5008	5213	1100	1450	220	4726	5500-6500

* Only hook lift units

We have always prioritised safety and user-friendliness for our products. The installation has many details and components that increase driver safety and facilitate use.

JOAB Försäljnings AB
 Östergärde Industriområde
 417 29 Gothenburg, Sweden
 Tel: +46 (0)31 705 06 00
 Fax: +46 (0)31 705 06 36
 info@joab.se