

# 561

MODELLI MODELS	MOMENTO LIFTING MOMENT	SBRACCIO ORIZZONTALE HORIZ. HYDRAULIC OUTREACH	PORTATA AL DISTRIBUTORE OIL FLOW TO THE CONTROL VALVE	SBRACCIO MAX. VERTICALE MAX VERTICAL REACH	PESO WEIGHT	PRESSIONE PRESSURE	INTERASSE STAB. STANDARD APERTI DISTANCE BETWEEN CENTRES WITH OPENED OUTRIGGERS	INTERASSE STAB. EXTRA APERTI EXTRA WIDE DISTANCE BETWEEN CENTRES WITH OPENED OUTRIGGERS
	Tm.	m.	L.min	m.	Kg	bar	mm.	mm.
561 A1	6.58	5.49	20	8.40	880	250	3370	4500
561 A2	6.41	7.15	20	10.0	950	250	3370	4500
561 A3	6.16	8.79	20	11.6	1010	250	3370	4500
561 A4	5.97	10.45	20	13.2	1060	250	3370	4500
<small>PROVISIONAL</small>	-	12.15	20	15.0	1150	250	3370	4500

Autocarro consigliato - Recommended truck - Camion conseillé - Camion aconsejado  
M.T.T. ton 7.5 - G.V.W. ton 7.5

### STANDARD



400°  
Angolo di rotazione  
Stewing angle



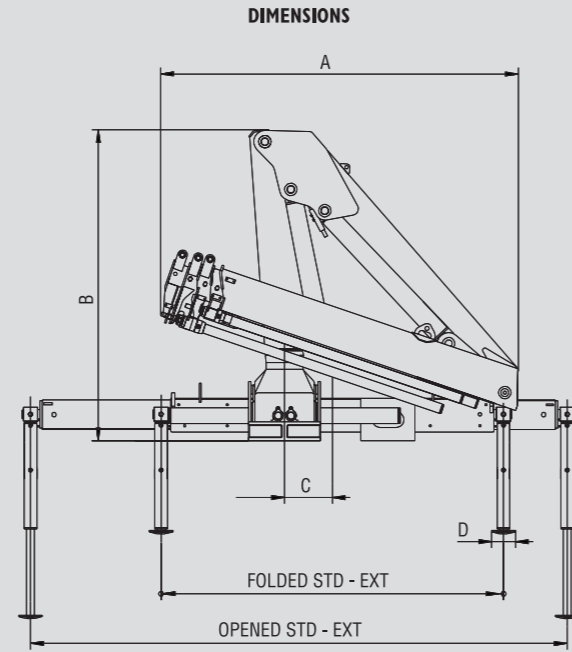
135  
Serbatoio olio  
Oil Tank

### STANDARD CE



Limitatore di momento  
Overload device

561 A1								
m	2.55	3.93	5.49	7.15	8.79			
Kg	2575	1675	1195	865	645			
561 A2								
m	2.55	4.03	5.60	7.15	8.79	10.45		
Kg	2510	1590	1115	865	645	485		
561 A3								
m	2.55	4.10	5.65	7.23	8.79	10.45	12.05	
Kg	2415	1500	1045	790	645	485	395	
561 A4								
m	2.55	4.20	5.75	7.35	8.88	10.45	12.05	
Kg	2340	1420	970	730	580	485	395	
561 A3J1								
m				10.85	12.15	13.65	15.08	
Kg				355	305	225	155	



561	FOLDED				OPENED			
	A	B	C	STD	EXT	D	STD	EXT
561 A1	2020	1960	300	2150	2150	150	3370	4500
561 A2	2100	1960	300	2150	2150	150	3370	4500
561 A3	2220	1960	300	2150	2150	150	3370	4500
561 A4	2250	1960	300	2150	2150	150	3370	4500
<small>PROVISIONAL</small>	2260	1960	300	2150	2150	150	3370	4500

### SPAZIO RICHiesto PER L'INSTALLAZIONE NECESSARY SPACE FOR INSTALLATION

561	Con attivazioni - With extra function	
561 A1	610	735
561 A2	610	735
561 A3	610	735
561 A4	610	735
<small>PROVISIONAL</small>	735	-



Flli FERRARI CORPORATION S.p.A.  
Via Pasubio, 3  
42022 Boretto (RE) Italy  
Tel. +39 0522/486311  
Fax +39 0522/486330  
E-mail: marketing@flliferrari.it  
www.flliferrari.com

COMPANY  
WITH QUALITY MANAGEMENT  
SYSTEM CERTIFIED BY DNV  
= ISO 9001/2000 =

M.K.T.5800251 01/09 3000



  
**561**

# 561



F.LLI FERRARI CORPORATION S.p.A.

# FERRARI® 561



①

La gru F.Ili Ferrari 561 racchiude in sé caratteristiche tecniche e meccaniche di elevata qualità

- Acciai ad alto limite di snervamento
- Struttura interamente sabbiata
- Basamento in fusione
- Bracci esagonali
- Sbracci fino a 10,45 m (12,05 m con prolunghe meccaniche)
- Valvole di sicurezza flangiate
- Comandi bilaterali
- Limitatore di momento (CE)
- Boccole autolubrificanti
- Raccorderia SAE JIC 1514I
- Gancio girevole
- Kit di montaggio compreso
- Stabilizzatori rotanti
- Pattini di scorrimento sugli elementi telescopici
- Kit segnale luminoso aste chiuse (CE)
- Blocco rotazione meccanica (CE)

**Accessori**

- Prolonghe meccaniche
- Stabilizzatori extrastendibili
- Traverse supplementari
- Comandi supplementari attivati
- Verricello idraulico
- Radiocomando
- Utilizzo con attrezzo
- Dispositivo di controllo RLC

GB

The crane model 561 by F.Ili Ferrari has been designed and manufactured with high quality technical and mechanical characteristics

- High tensile strength steel
- Structure fully sandblasted
- Cast base
- Hexagonal booms
- Hydraulic outreach to 10,45 m (12,05 m with mechanical extensions)
- Flanged valves
- Dual-side controls
- Load limiting device (CE)
- Self-lubricating bushings
- SAE JIC 1514I fittings
- Swivel load hook
- Mounting kit included
- Turning outriggers
- Sliding pads on telescopic extensions
- Light indicator for correct stabilizer stowing (CE)
- Mechanical slewing limitation (CE)

**Accessories**

- Mechanical extensions
- Extra wide outriggers
- Extra cross beams
- Extra functions
- Hydraulic winch
- Radio remote control
- Use with special equipments
- Load radio checking device RLC

F

La grue modèle 561 F.Ili Ferrari est conçue avec des caractéristiques techniques et mécaniques de la plus haute qualité

- Acier à résistance élevée
- Structure complètement sablée
- Embase moulé
- Extensions hexagonales
- Portée hydraulique jusqu'à 10,45 mt (12,05 mt avec rallonges mécaniques)
- Soupapes de sûreté bridées
- Commandes bilatérales
- Limiteur de moment (CE)
- Douilles autolubrifiantes
- Raccords SAE-JIC 1514I
- Crochet tournant
- Kit de montage inclus
- Béquilles tournantes
- Patins de coulissement sûr les éléments télescopiques
- Kit capteurs de replis de béquilles stabilisatrices (CE)
- Limitation mécanique de la rotation (CE)

**Accessoires**

- Rallonges mécaniques
- Béquilles extra larges
- Béquilles supplémentaires
- Circuits supplémentaires activés
- Treuil hydraulique
- Radiocommande
- Utilisation avec accessoires
- Dispositif de contrôle de la charge RLC

D

Das Kranmodell 561 vom F.Ili Ferrari ist mit höchsten Qualität für technischen und mechanischen Eigenschaften projiziert und hergestellt worden

- Stahl mit hoher Fließgrenze
- Sandstrahlen der Struktur
- Gussockel
- Sechswinklige Ausschübe
- Hydraulische Reichweite bis 10,45 m (12,05 m mit mechanischen Ausschübe)
- Geflanschte Sicherheitventile
- Beidseitigen Kransteuerungen
- Momentbegrenzer (CE)
- Selbstschmierende Buchsen
- SAE JIC 1514I Anschlüsse
- Schwenkbarer Haken
- Einsatzbau eingeschlossen
- Drehbare Ausschüben
- Gleitschuhe auf den Ausschüben
- Warnleuchte für Abstützungen (CE)
- Mechanische Schwenkbegrenzung (CE)

**Zubehöre**

- Mechanische Verlängerungen
- Extra-breite Abstützungen
- Zusatzabstützungen
- Zusatzfunktionen
- Hydraulische Seilwinde
- Funksteuerung
- Benutzung mit Zubehören
- Vorrichtung für Lastkontrolle RLC

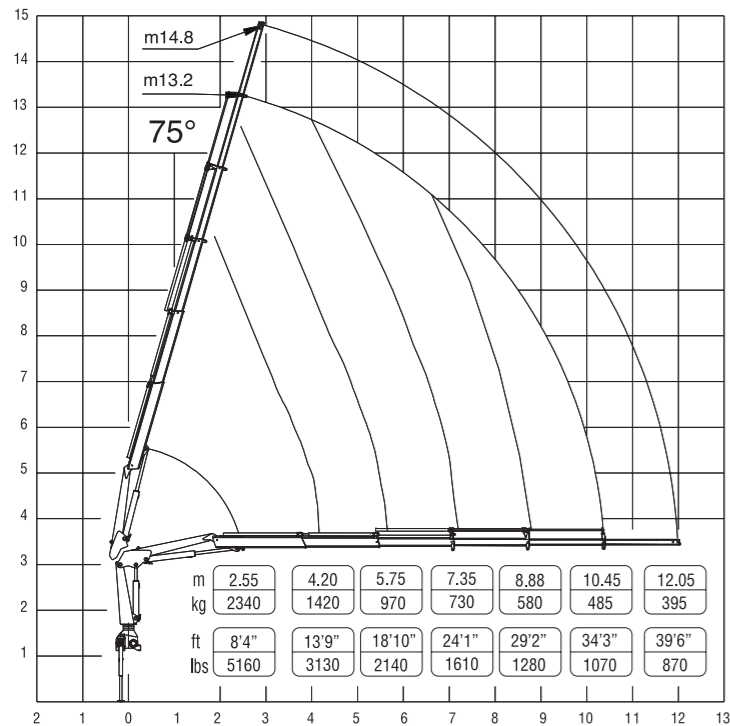
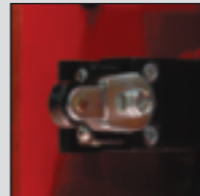
SP

El modelo de la grúa 561 de F.Ili Ferrari se ha proyectado y fabricado con características técnicas y mecánicas de alta calidad

- Acero en el alto borde de rendimiento
- Estructura completamente arenada
- Base moldeada
- Prolongas hexagonales
- Alcances hidráulicos hasta 10,45 m (12,05 m con prolongas mecánicas)
- Válvulas de seguridad ensanchadas
- Mandos bilaterales
- Limitador de carga (CE)
- Casquillos autolubrificantes
- Racorería SAE-JIC 1514I
- Gancho giratorio
- Kit de montaje incluido
- Patas giratorias
- Patín de deslizamiento sobre las prolongas telescópicas
- Indicador luminoso de estabilizadores cerrados (CE)
- Bloqueo rotación mecánica (CE)

**Accesorios**

- Prolongas mecánicas
- Patas extra-largas
- Patas adicionales
- Activaciones adicionales
- Cabestrante hidráulico
- Radiomando
- Utilización con accesorios
- Dispositivo de verificación de la carga RLC



Questo dispositivo visualizza su un display collocato in prossimità dei comandi il carico applicato al gancio della gru, rendendo l'utilizzo delle prolunghe meccaniche sicuro secondo la normativa europea EN 12999.

This device shows the load at the hook on a display placed near the controls, making safe the use of the mechanical extensions following the European rule EN 12999.



## RADIO REMOTE CONTROL

"Single Hand"

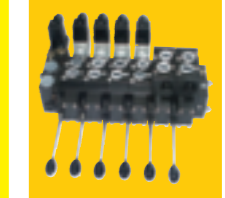


**RADIOCONTROL**

The operator can control the crane with high precision proportional levers in every position and, doing so, can supervise the loading and unloading operations. That means a great time saving and a higher safety.



**RDC**  
561 A1  
561 A2  
561 A3  
561 A4



561 A3 Jib1

All remote controls used by F.Ili FERRARI CORPORATION have an identification code and are shielded from electromagnetic fields and from external radio signals.