

7091C
NEW AGE



7091C

Ferrari

A HYVA GROUP COMPANY

7091C

Extension Quick System and Smart Extension Sequence
Fast, precise, safe

Forged hook attachment
Ruggedness and durability in all applications

Link on column
Constant lifting capacity on all main boom positions

Link on second boom
Boom negative angle allows access to confined spaces

Break the boundaries in performance and safety

425° Slewing angle
The widest slewing angle for medium sized cranes

Ergonomic control station and user-friendly interface
Comfortable, convenient and safe

Always stable
More than 40 stabilizer combinations available



7" color display
Simple and quick access to all the functions and information

Vertical stabilizer levers
Safe and fast. Excellent supervision of stabilizing operation

Ergonomic control station engineered for maximum operator comfort and ease of operation

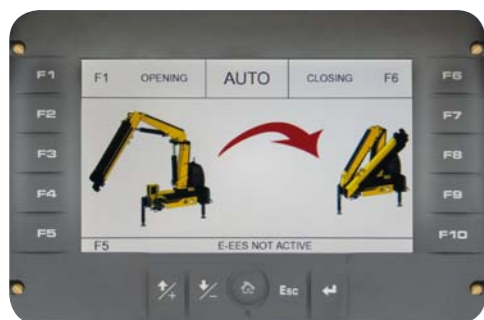
Dynamic Load Diagram



Crane lifting capacity always under control in all stabilizer positions.
After the truck has been stabilized, the operator selects the load weight to be lifted. The display shows the permitted crane outreach based on the truck stability and load selected.

- Improved efficiency
- Easy to use
- Optimised safety

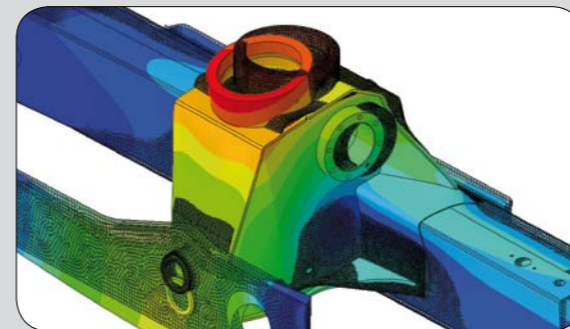
Magic Touch



Crane Automatic folding/unfolding.
This system allows the operator to unfold the crane to a working position and fold the crane from any position to transport position by pressing a single button on the radio transmitter or display.

- Easy to start and close
- Save time
- Increased productivity and safety

High-tech development



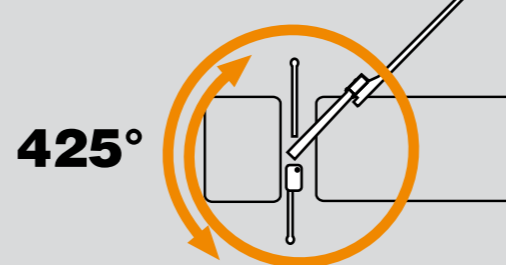
- Structures optimised for strength, weight and speed

Top Protection



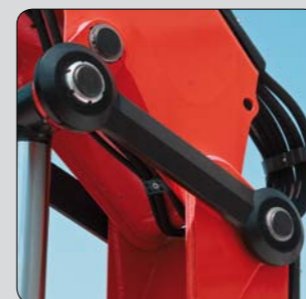
- High value retention
- Top reliability

Slewing Angle

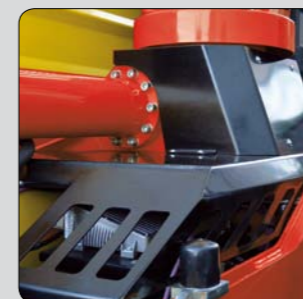


- Easy to start and close
- Save time
- Increased productivity and safety

Functional Aesthetic



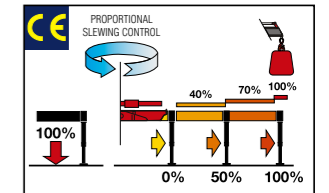
Forged double linkages on column and 2nd boom



Hex Deck cover on base

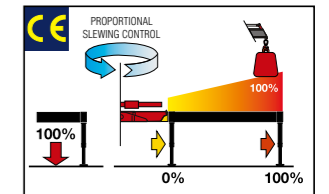
Crane control system

F3XL



With a 3" TFT display and ergonomic keyboard, the crane operator can select optimum functional parameters. The system controls the stability with 2-step beam outreach monitoring and continuous slewing control.

F4XL+TOP



A 7" color display with integrated keyboard gives the operator a higher level of awareness of the crane operation and allows selection of the best parameters for effective use. The system detects the exact position of the beams and proportionally calculates the stability.

Wide range Radio selection



Hetronic Not CE



Hetronic CE Basic



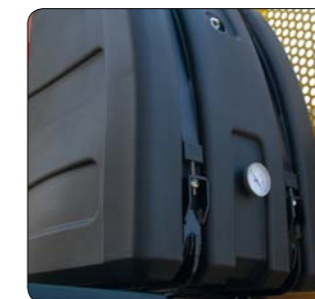
Scanreco



Hetronic CE Graphic



Powered by Danfoss



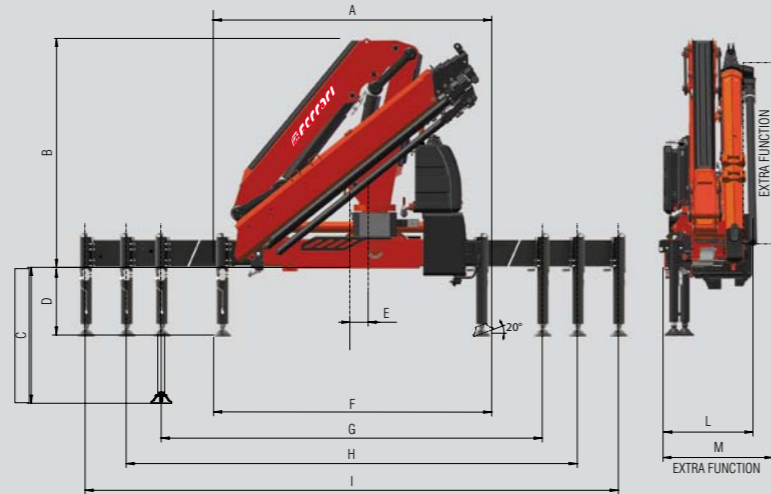
High volume oil tank made in sandwich-structured materials (PEX and PA6)



Robust column design and hoses cover

7091C *Technical data*

	Lifting Moment	Slewing Angle	Working pressure	Oil tank capacity	Max Oil flow	Max lifting height	Standard crane weight
	tm	°	bar	l	l/min	m	kg
A1	8,3	425	315	75	40	9,3	1215
A2	8,0	425	315	75	40	10,9	1305
A3	7,6	425	315	75	40	13,1	1395
A4	7,3	425	315	75	40	15,1	1480
A5	7,0	425	315	75	40	17,3	1555

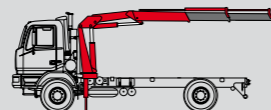


	A1	A2	A3	A4	A5
A	2290	2290	2290	2290	2290
B	2085	2085	2085	2085	2085
C	1185	1185	1185	1185	1185
D	530/585	530/585	530/585	530/585	530/585
E	160	160	160	160	160
F	2270	2270	2270	2270	2270
G	3290	3290	3290	3290	3290
H	4790	4790	4790	4790	4790
I	5755	5755	5755	5755	5755
L	800	800	800	800	845
M	845	845	845	845	910

Model	kg	m	kg	m	kg	m	kg	m	kg	m	kg	m		
A1	2020	4,12	1410	5,93										
A2	1955	4,12	1340	5,93	1020	7,74	720	9,77	515	11,80				
A3	1815	4,20	1220	6,01	915	7,82	720	9,77	515	11,80	355	13,95		
A4	1720	4,28	1135	6,09	835	7,90	640	9,85	515	11,80	355	13,95	280	16,13
A5	1615	4,35	1045	6,16	710	7,97	535	9,92	430	11,87	355	13,95	280	16,13

Standard

- Designed in accordance with EN12999
- Design class: HC1-HD4
- Cross controls
- Flanged valves
- Oil tank
- Manually extendable stabilizers
- Fixed stabilizer cylinders
- Swivel stabilizer foot
- Centralized greasing system
- EQS Extension Quick System
- SDV Smooth Descent Valve
- Red Power
- F3XL Crane control system (CE)



Recommended truck M.T.T. ton 8 - G.V.W. ton 8



One model, many applications



Waste handling



Construction



Fence posts, poles and landscaping



With winch



7091C

NEW AGE



Quality and environmental certified



F.lli FERRARI

Via Einstein, 8
42028 Poviglio (RE) Italy
Tel. +39 0522/486308
Fax +39 0522/486330
info@flliferrari.it
marketing@flliferrari.it
www.flliferrari.com

Dealer

Data, descriptions, and illustrations pertain only and uniquely to models sold at the time of printing of this brochure. After the date of printing, this information is purely indicative and not binding upon F.lli Ferrari. Future modifications are solely at the discretion of F.lli Ferrari and are always in compliance with applicable and pertinent safety standards. To obtain updated data, descriptions, and illustrations, contact the manufacturer or your reseller. Cranes manufactured and/or marketed by F.lli Ferrari.