

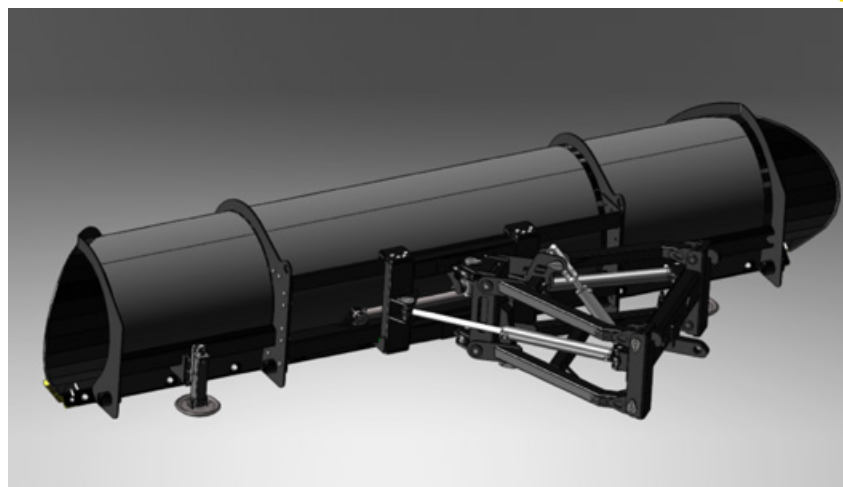
# PURE *epsilon*

## ROTATION PLOUGH 3.7 & 4.6

	3.7	4.6
Working width	3700 mm (0°) 2650 mm (45°)	4600 mm (0°) 3250 mm (45°)
Transport width	2965 mm	3800 mm
Weight of blade	350 kg *	430 kg *
Total weight	790 kg *	970 kg *
Height of blade	1060 mm	
Blowing angle	45° - 0° - 45°	
Blade angle	50°	
Required hydraulic flow	25 l min / 160 bar	

\* Without wear blades

Accessory: side movement, flexible blade structure, double blade, support legs, rail slider



**PURE Road Maintenance**

Tel +358 10 2321 000  
www.pajakulma.fi



**PAJAKULMA**

JYKI GROUP