



PURE *omega TR*

REMOVABLE UNDER MOUNTED SCRAPER TO TRACTOR

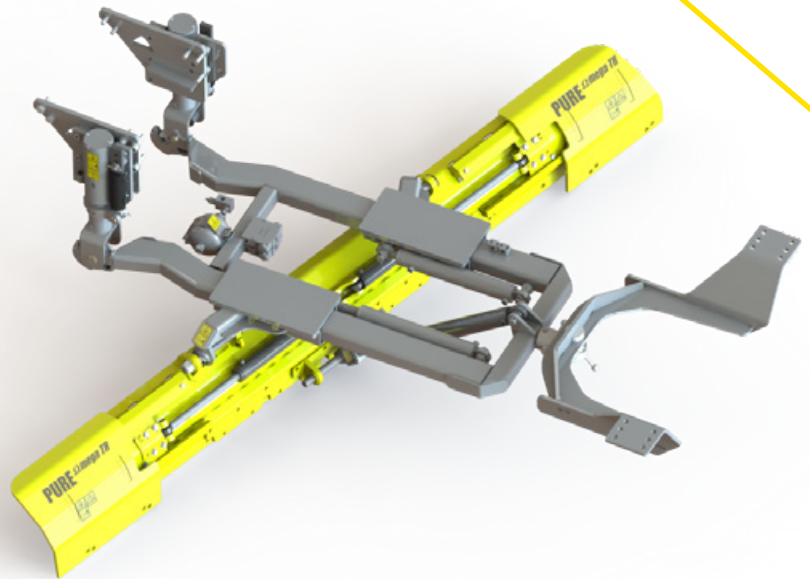
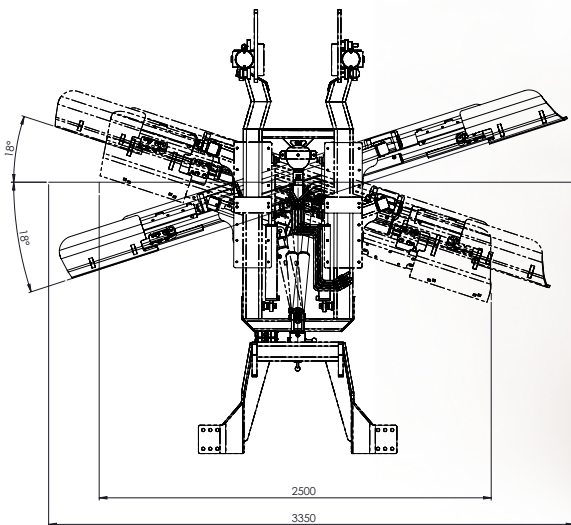
Weight	410 kg *
Working width	2500...3150 mm
Ploughing angle to the left/right	18° / 18°
Required hydraulic flow	25 l/min / 170 bar

* Without wear blades and fastening parts



PURE OMEGA TR

- Patented
- Don't effect to vehicle ground clearance
- Quick attach and remove
- Strong structure



PURE Road Maintenance

Tel +358 10 2321 000
www.pajakulma.fi



PAJAKULMA

JYKI GROUP